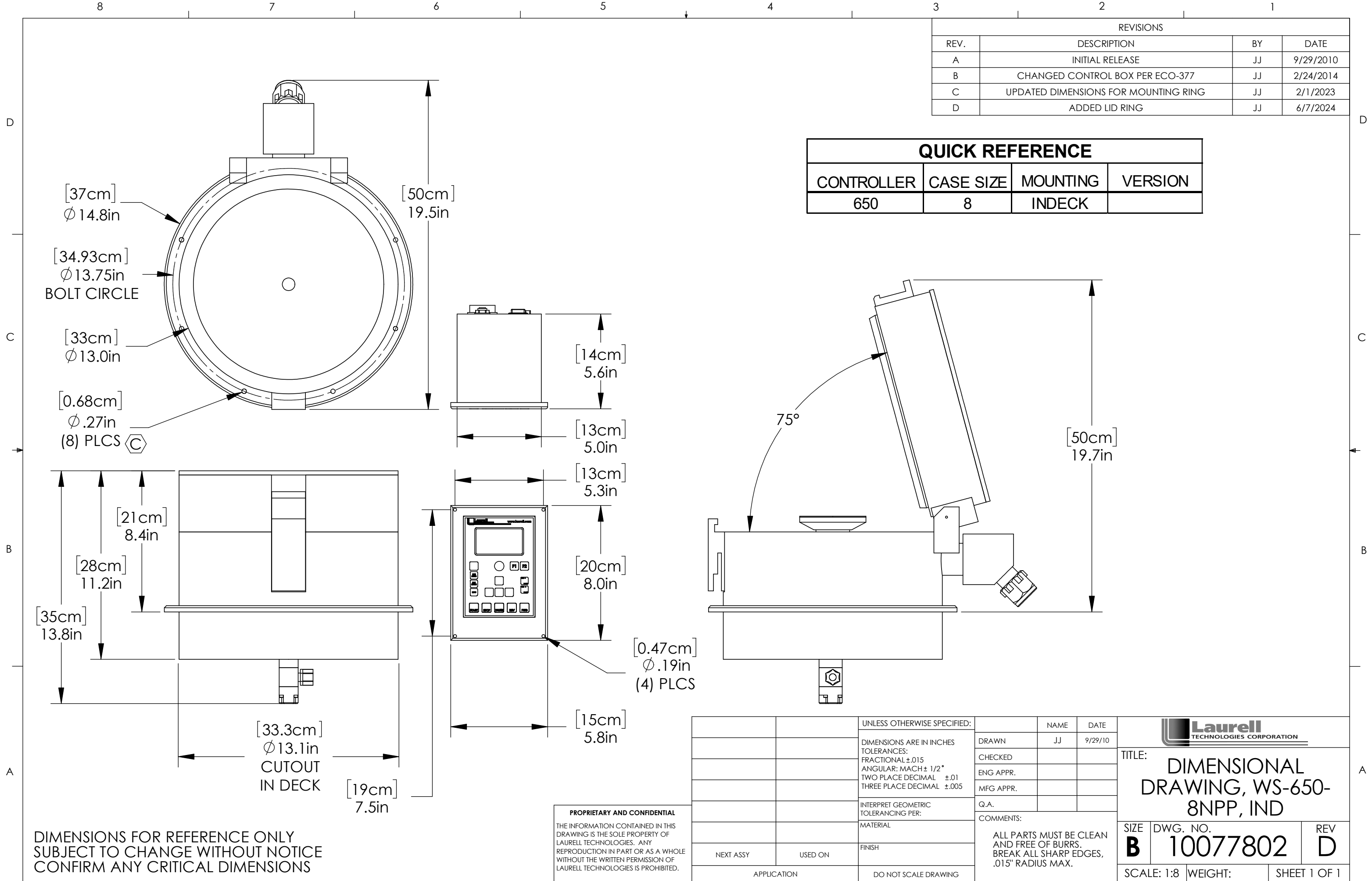


REVISIONS			
REV.	DESCRIPTION	BY	DATE
A	INITIAL RELEASE	JJ	9/29/2010
B	CHANGED CONTROL BOX PER ECO-377	JJ	2/24/2014
C	UPDATED DIMENSIONS FOR MOUNTING RING	JJ	2/1/2023
D	ADDED LID RING	JJ	6/7/2024

QUICK REFERENCE			
CONTROLLER	CASE SIZE	MOUNTING	VERSION
650	8	INDECK	



DIMENSIONS FOR REFERENCE ONLY
SUBJECT TO CHANGE WITHOUT NOTICE
CONFIRM ANY CRITICAL DIMENSIONS

PROPRIETARY AND CONFIDENTIAL
THE INFORMATION CONTAINED IN THIS DRAWING IS THE SOLE PROPERTY OF LAURELL TECHNOLOGIES. ANY REPRODUCTION IN PART OR AS A WHOLE WITHOUT THE WRITTEN PERMISSION OF LAURELL TECHNOLOGIES IS PROHIBITED.

UNLESS OTHERWISE SPECIFIED:		NAME	DATE
DIMENSIONS ARE IN INCHES		DRAWN	JJ 9/29/10
TOLERANCES:		CHECKED	
FRACTIONAL ±.015		ENG APPR.	
ANGULAR: MACH ± 1/2°		MFG APPR.	
TWO PLACE DECIMAL ±.01		Q.A.	
THREE PLACE DECIMAL ±.005		COMMENTS:	
INTERPRET GEOMETRIC TOLERANCING PER:		ALL PARTS MUST BE CLEAN AND FREE OF BURRS. BREAK ALL SHARP EDGES, .015" RADIUS MAX.	
MATERIAL			
FINISH			
NEXT ASSY	USED ON		
APPLICATION		DO NOT SCALE DRAWING	

		TITLE: DIMENSIONAL DRAWING, WS-650-8NPP, IND	
SIZE B	DWG. NO. 10077802	REV D	
SCALE: 1:8		WEIGHT:	SHEET 1 OF 1