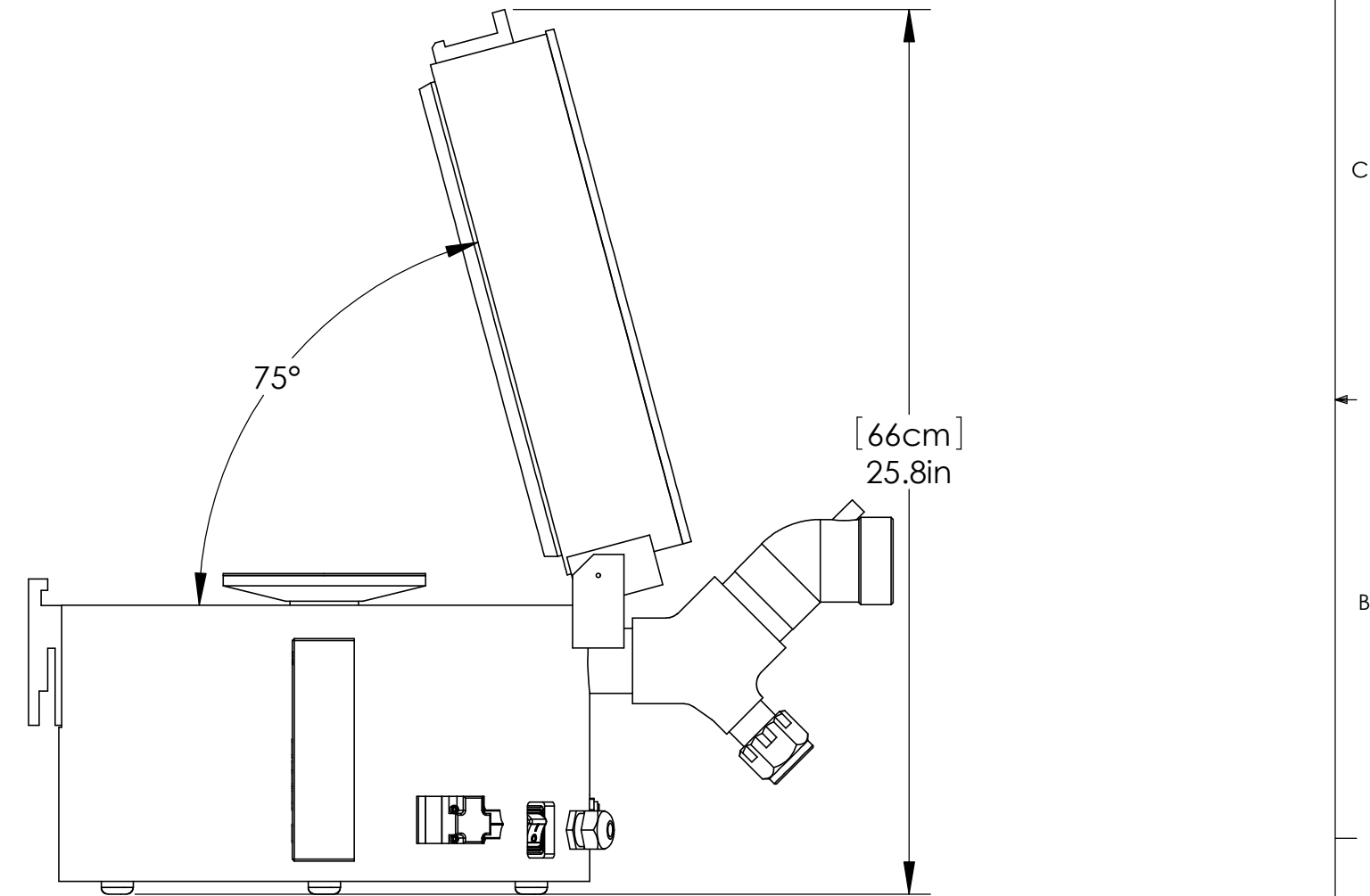
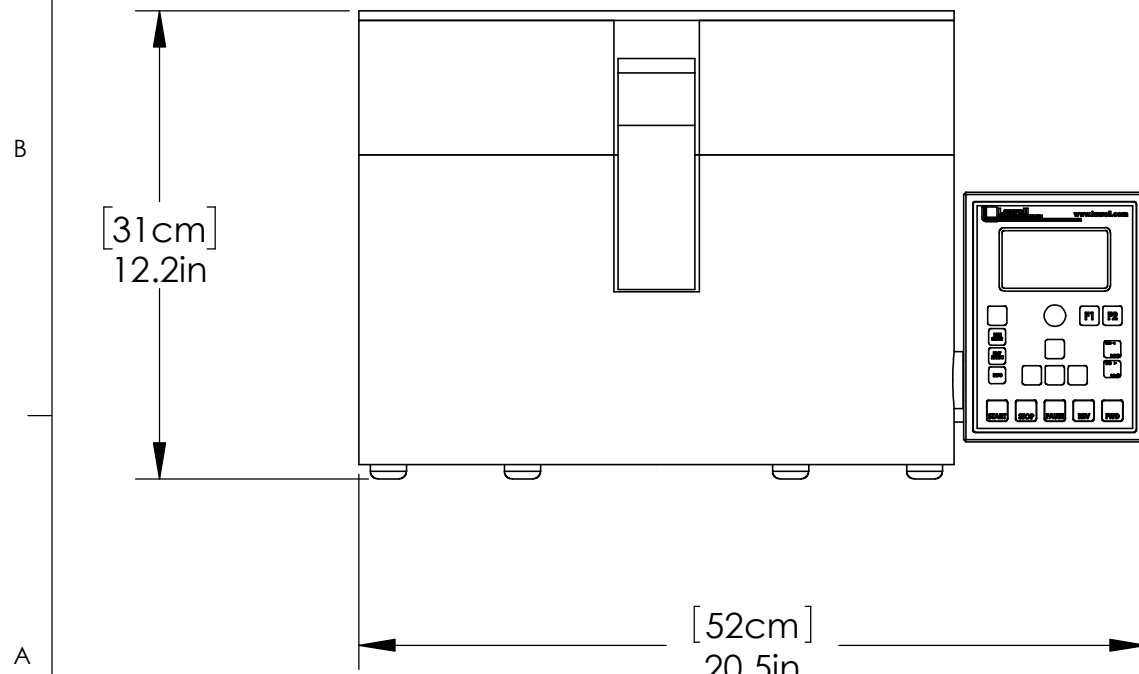
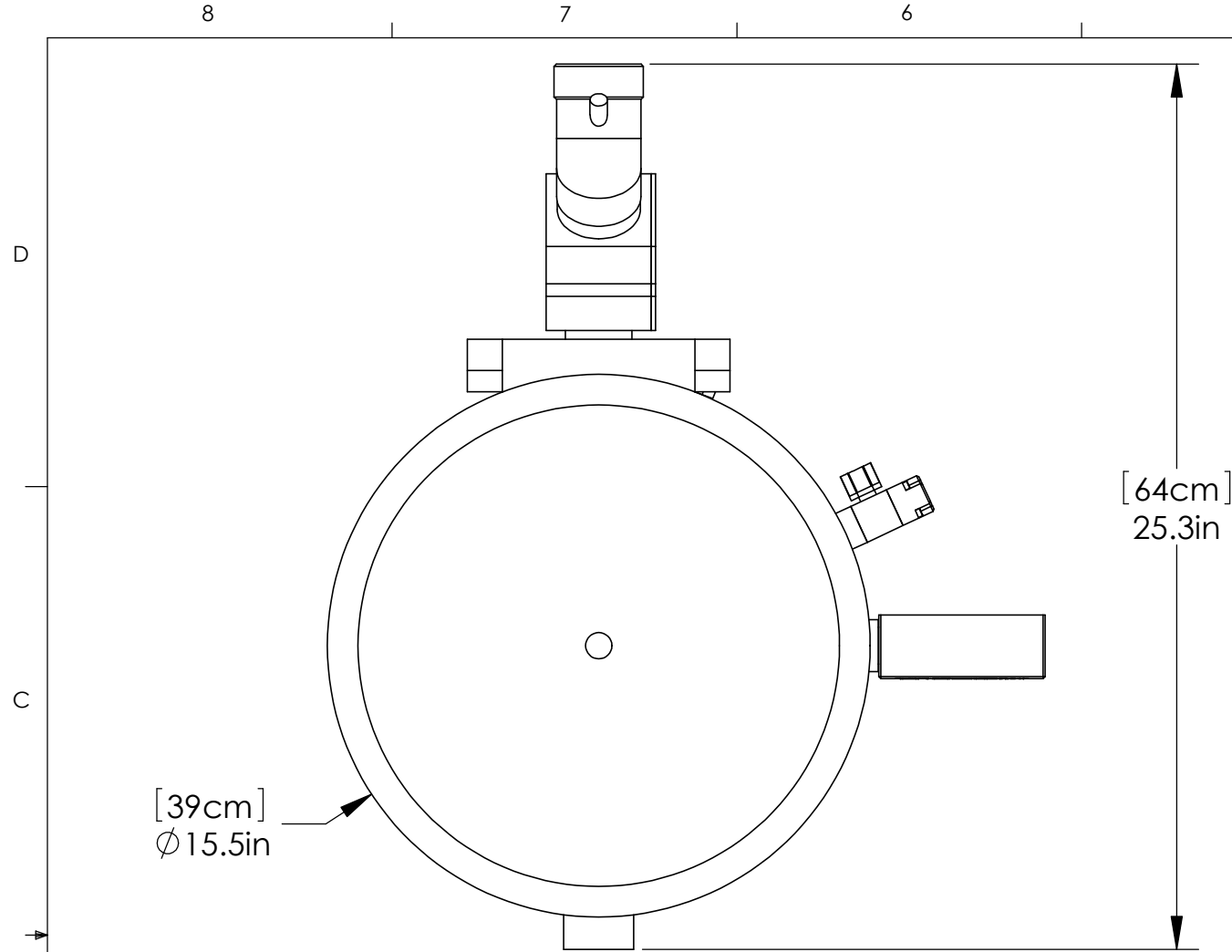


REVISIONS			
REV.	DESCRIPTION	BY	DATE
A	INITIAL RELEASE	JJ	9/29/2010
B	ADDED LID RING	JJ	6/7/2024

QUICK REFERENCE			
CONTROLLER	CASE SIZE	MOUNTING	VERSION
650	15	DESKTOP	



PROPRIETARY AND CONFIDENTIAL
 THE INFORMATION CONTAINED IN THIS DRAWING IS THE SOLE PROPERTY OF LAURELL TECHNOLOGIES. ANY REPRODUCTION IN PART OR AS A WHOLE WITHOUT THE WRITTEN PERMISSION OF LAURELL TECHNOLOGIES IS PROHIBITED.

		UNLESS OTHERWISE SPECIFIED:	NAME	DATE		
		DIMENSIONS ARE IN INCHES	DRAWN	JJ		9/29/10
		TOLERANCES:	CHECKED			
		FRACTIONAL ±.015	ENG APPR.			
		ANGULAR: MACH ± 1/2°	MFG APPR.			
		TWO PLACE DECIMAL ±.01	Q.A.			
		THREE PLACE DECIMAL ±.005	COMMENTS:	ALL PARTS MUST BE CLEAN AND FREE OF BURRS. BREAK ALL SHARP EDGES, .015" RADIUS MAX.		
		INTERPRET GEOMETRIC TOLERANCING PER:	TITLE: DIMENSIONAL DRAWING, WS-650-15NPP			
		MATERIAL				
		FINISH				
NEXT ASSY	USED ON	APPLICATION	SIZE DWG. NO. B 10077501 REV B			
		DO NOT SCALE DRAWING	SCALE: 1:8 WEIGHT: SHEET 1 OF 1			

DIMENSIONS FOR REFERENCE ONLY
 SUBJECT TO CHANGE WITHOUT NOTICE
 CONFIRM ANY CRITICAL DIMENSIONS